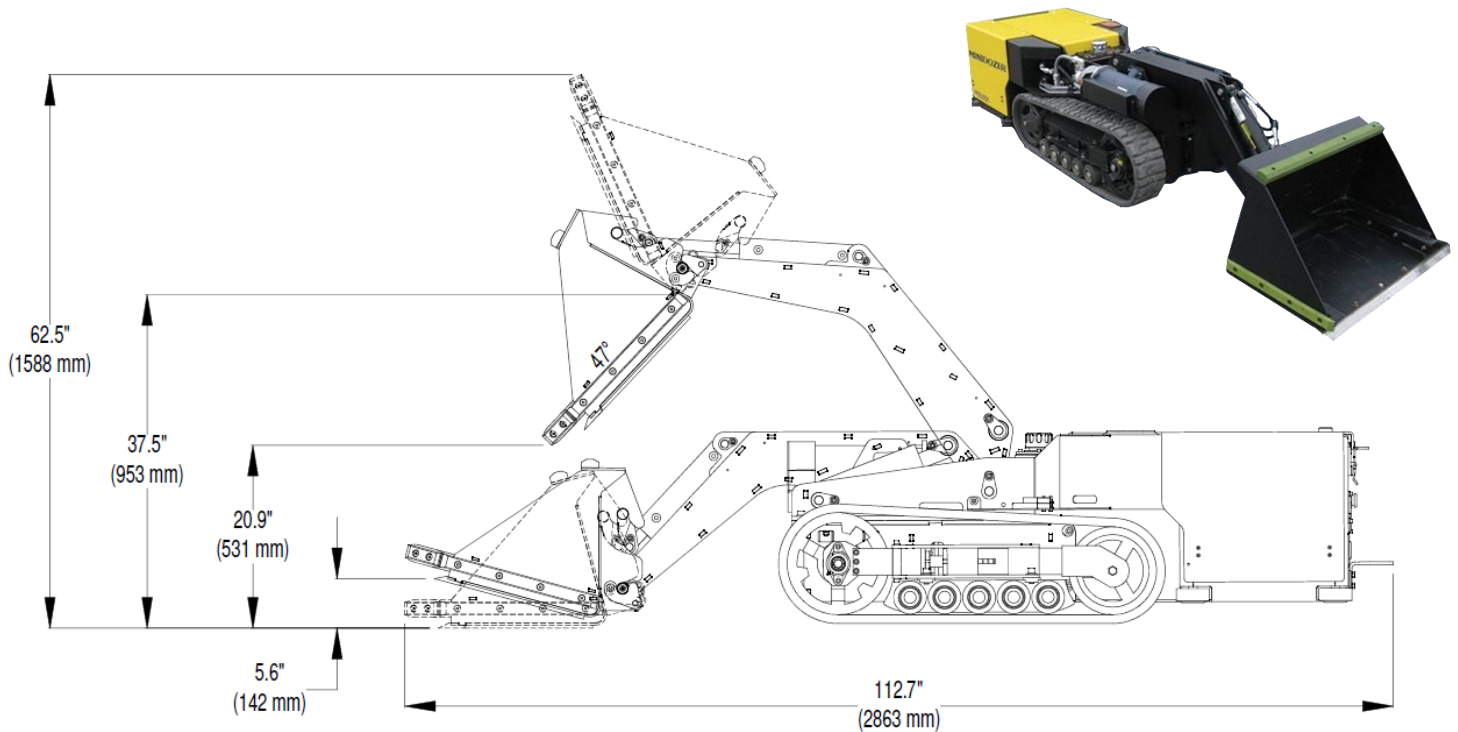


MINIDOZER AL27

TECHNICAL SPECIFICATIONS



PHYSICAL CHARACTERISTICS		
Frame	Steel	
Cabinet	Aluminum	
Length	112 ³ / ₄ in	2863 mm
Width	27 ³ / ₄ in	705 mm
Height (frame)	22 ⁵ / ₁₆ in	567 mm
Height (bucket to maximum)	62 ¹ / ₂ in	1590 mm
Clearance Under Bucket (to maximum height)	37 ¹ / ₂ in	950 mm
Weight	2200 lb	998 kg
Turning diameter	163 in	4140 mm
Lifting Capacity	642 lb	291 kg
Bucket Capacity	0.096 yd ³	0.073 m ³
Maximum speed (flat surface)	66 ft/min	20.1 m/min

POWER	
Motor power	2 HP (x2)
Hydraulic motor power (bucket)	2 HP (x1)
Gearbox ratio	75:1 (x2)
POWER FEATURES	
Batteries Amperage/Voltage	435 Amp at 6 Volts (x4)
Charger	AC-DC external (x1)
Battery Pack Amperage	435 Amp
Operating Voltage	24 VDC
Continuous Run-Time	Varies according to the operating conditions (Contact Movex Innovation for more information)
Battery Recharging Time	12 hours approx.
Control	Wireless (standard)

The information contained in this document is subject to change without notice.